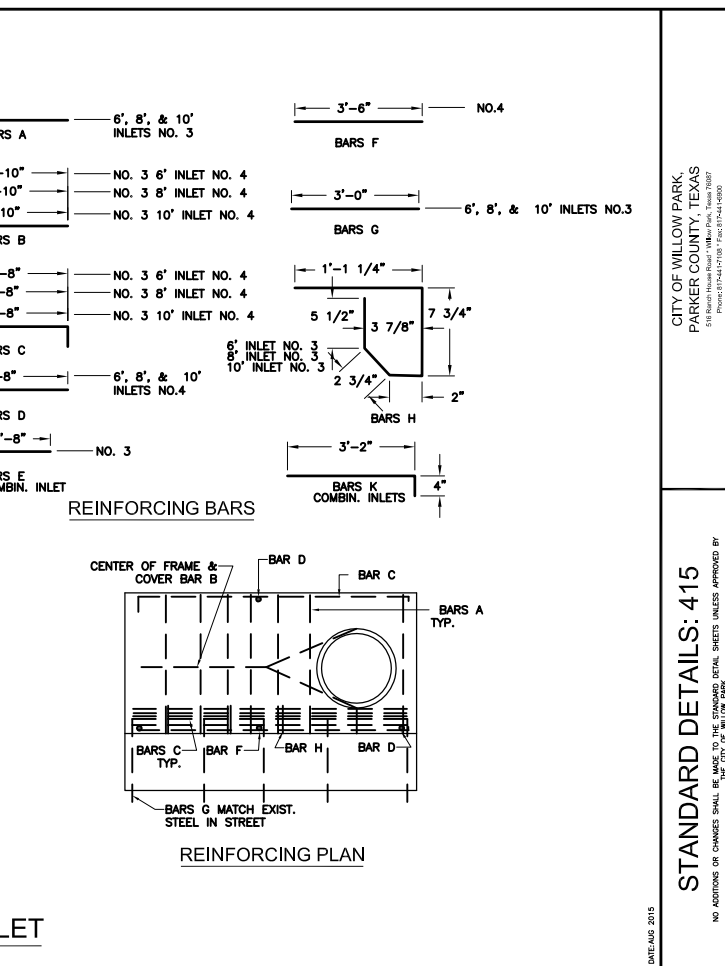
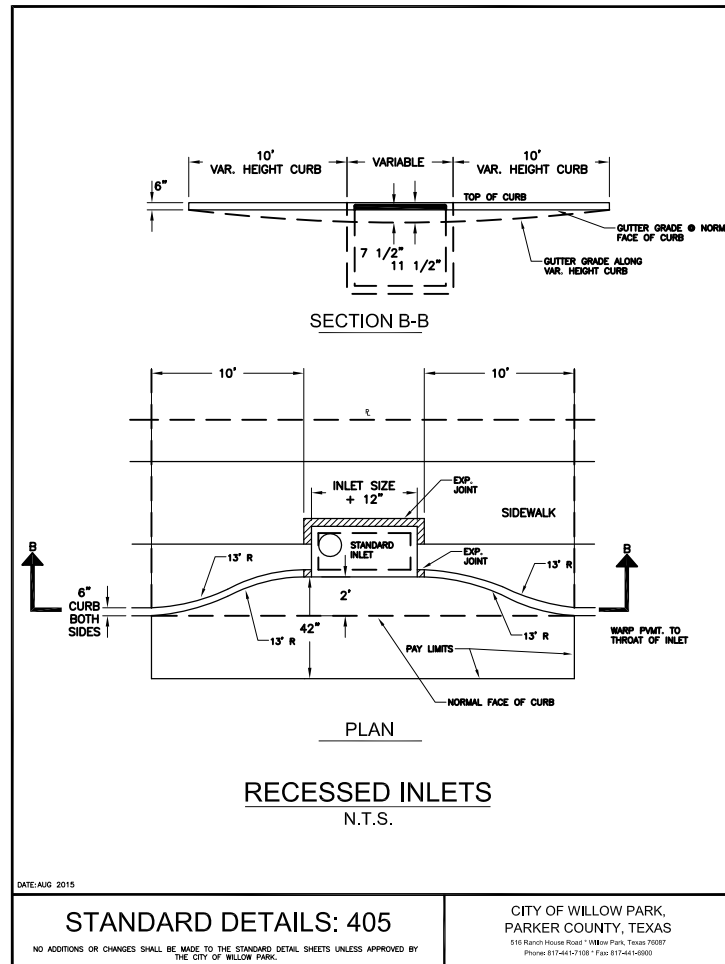
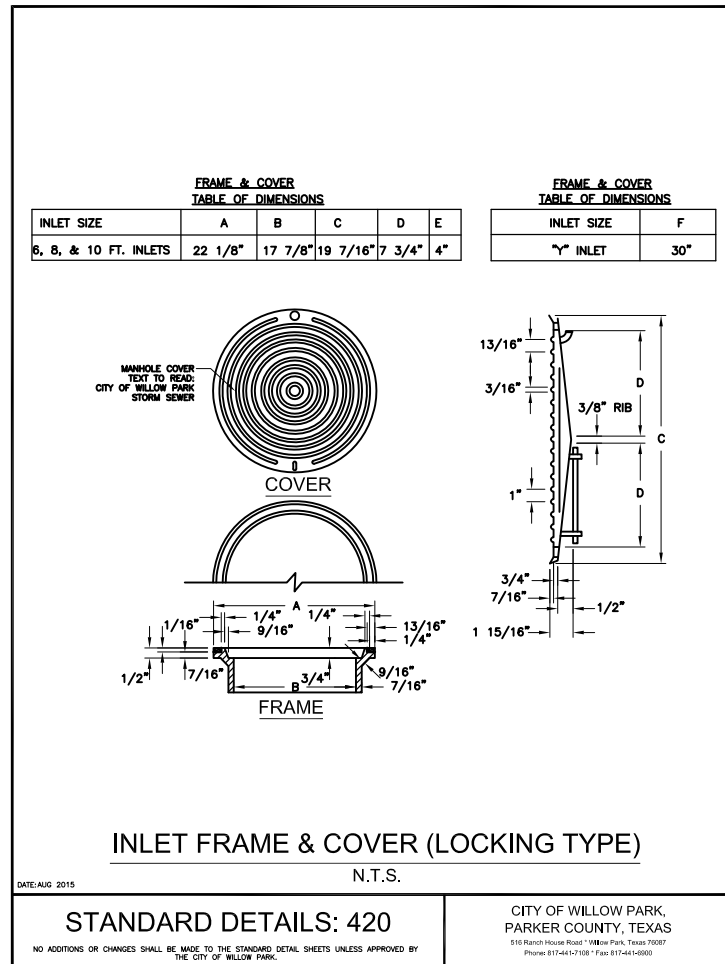
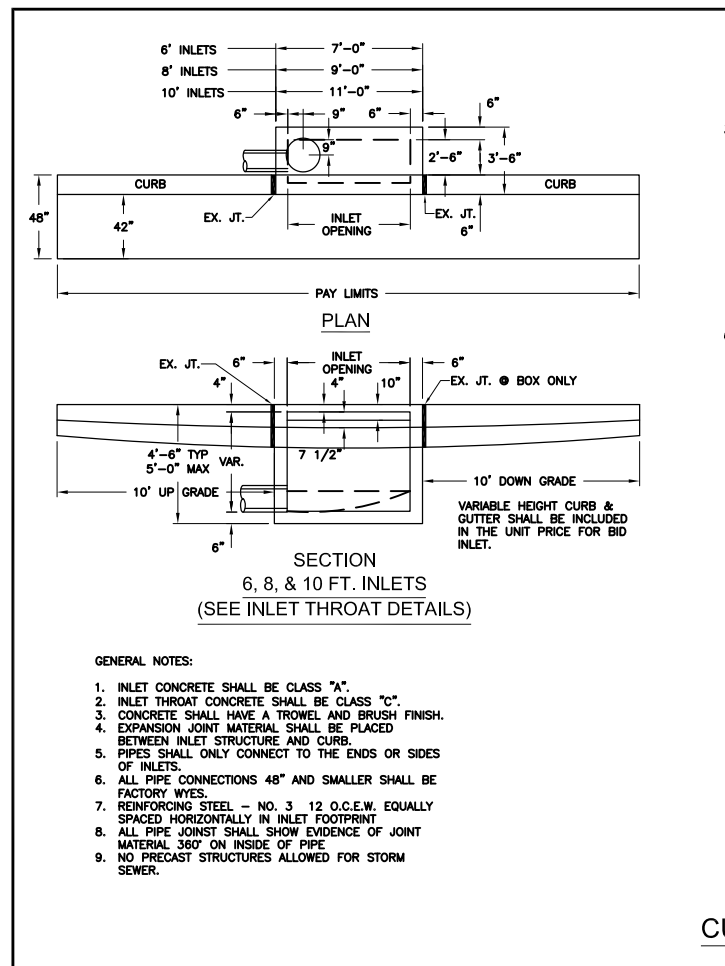
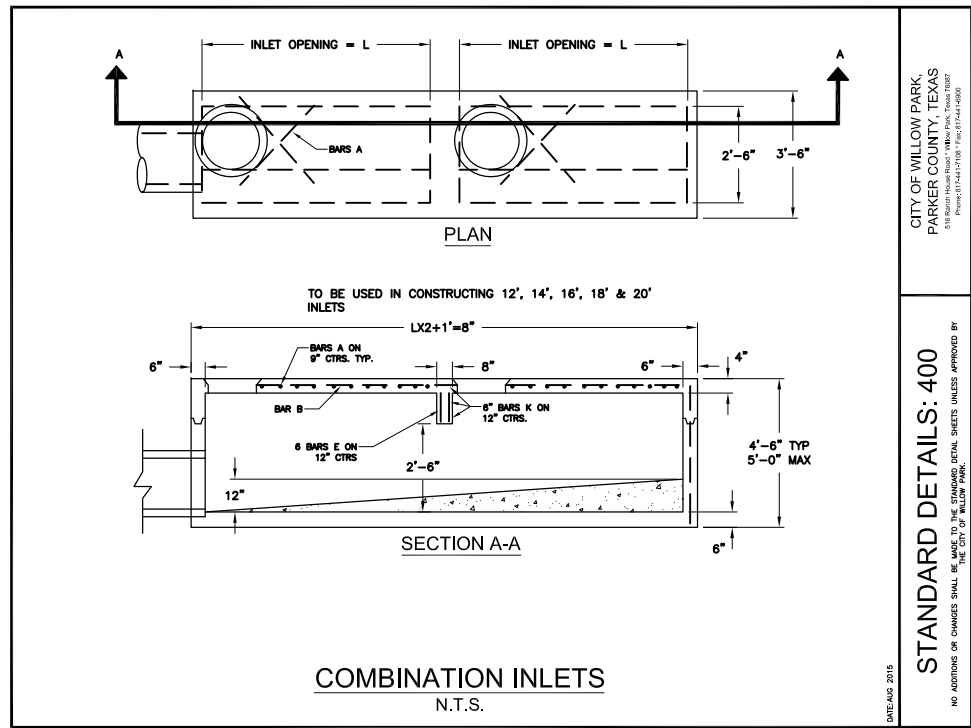
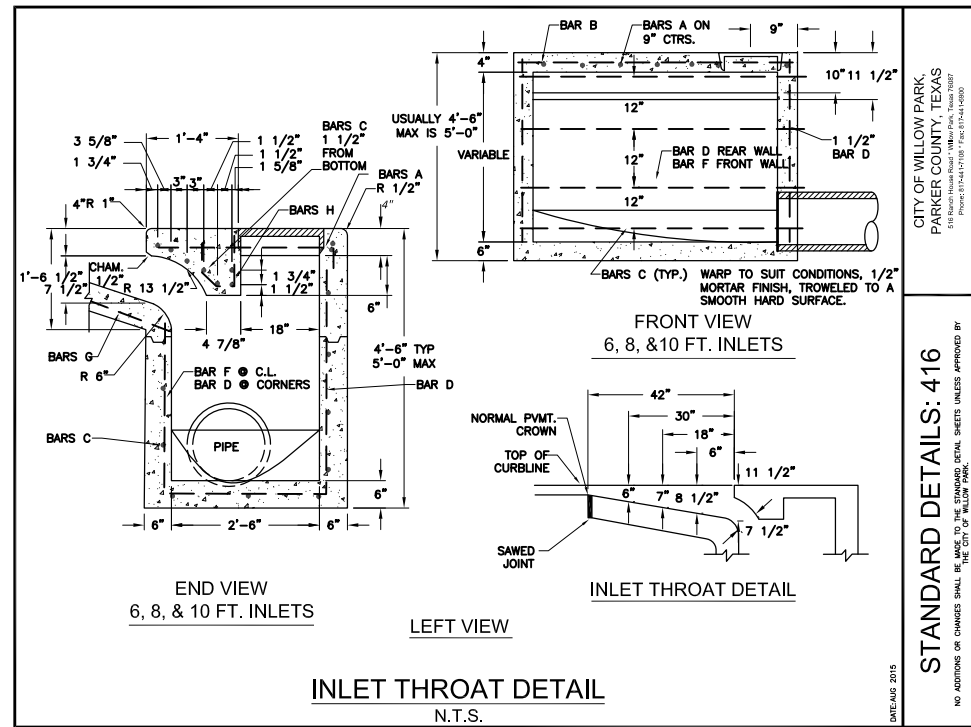


PRINTED BY: SUE ANN BOND  
 PLOTTED ON: 8/12/2015 8:58 AM  
 X:\C:\WILLOW\_PARK\MISC\\_WP\\_STANDARD\\_DETAILS\400\\_WP\\_STANDARD\\_DETAILS - STORM\\_WP\\_STORM\_01.DWG



REVISIONS:

CITY OF WILLOW PARK, TEXAS  
 PARKER COUNTY, TEXAS  
 516 Ranch House Road  
 Willow Park, Texas 76797  
 Phone: 817-441-7108 - Fax: 817-441-6900

CITY OF WILLOW PARK, TEXAS  
 STANDARD DETAILS

NO ADDITIONS OR CHANGES SHALL BE MADE TO THE STANDARD DETAIL SHEETS UNLESS APPROVED BY THE CITY OF WILLOW PARK.

22x34 SCALE: N.T.S.  
 11x17 SCALE: N.T.S.  
 DATE: AUG 2015  
 DRAWN: X.X.X.  
 CHECKED: X.X.X.  
 APPROVED: X.X.X.

SHEET TITLE: STORM DETAILS

SHEET NO.: C-SD01

PRINTED BY: SUE ANN BOND  
 X:\C:\WILLOW\_PARK\MISC\WP-STANDARD-DETAILS\400\_WP-STORM\_01.DWG  
 PLOTTED ON: 8/12/2015 9:04 AM

**INLET GRATE DETAIL**  
N.T.S.

**STANDARD DETAIL: 430**

CITY OF WILLOW PARK,  
PARKER COUNTY, TEXAS  
516 Ranch House Road • Willow Park, Texas 76087  
Phone: 817-441-7108 • Fax: 817-441-6900

NO ADDITIONS OR CHANGES SHALL BE MADE TO THE STANDARD DETAIL SHEETS UNLESS APPROVED BY THE CITY OF WILLOW PARK.

INLET SIZE	T	W
2' SQUARE	7"	2'-0"
4' SQUARE	7"	4'-0"
5' SQUARE	8"	5'-0"
6' SQUARE	9"	6'-0"

**DROP INLET**  
2', 4', 5', OR 6' SQUARE  
N.T.S.

**STANDARD DETAIL: 435**

CITY OF WILLOW PARK,  
PARKER COUNTY, TEXAS  
516 Ranch House Road • Willow Park, Texas 76087  
Phone: 817-441-7108 • Fax: 817-441-6900

NO ADDITIONS OR CHANGES SHALL BE MADE TO THE STANDARD DETAIL SHEETS UNLESS APPROVED BY THE CITY OF WILLOW PARK.

**DOUBLE GRATE INLET**  
N.T.S.

**STANDARD DETAIL: 440**

CITY OF WILLOW PARK,  
PARKER COUNTY, TEXAS  
516 Ranch House Road • Willow Park, Texas 76087  
Phone: 817-441-7108 • Fax: 817-441-6900

NO ADDITIONS OR CHANGES SHALL BE MADE TO THE STANDARD DETAIL SHEETS UNLESS APPROVED BY THE CITY OF WILLOW PARK.

**TRIPLE GRATE INLET**  
N.T.S.

**STANDARD DETAIL: 445**

CITY OF WILLOW PARK,  
PARKER COUNTY, TEXAS  
516 Ranch House Road • Willow Park, Texas 76087  
Phone: 817-441-7108 • Fax: 817-441-6900

NO ADDITIONS OR CHANGES SHALL BE MADE TO THE STANDARD DETAIL SHEETS UNLESS APPROVED BY THE CITY OF WILLOW PARK.

REVISIONS:

CITY OF WILLOW PARK, TEXAS  
 516 Ranch House Road  
 Willow Park, Texas 76087  
 Phone: 817-441-7108 - Fax: 817-441-6900

CITY OF WILLOW PARK, TEXAS

STANDARD DETAILS

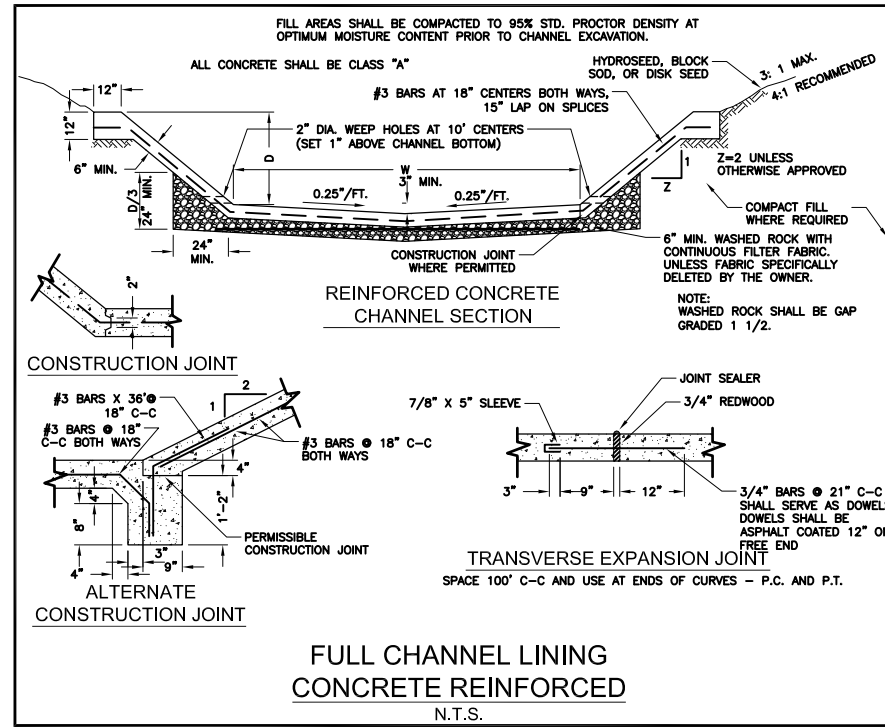
22x34 SCALE:	N.T.S.
11x17 SCALE:	N.T.S.
DATE:	AUG 2015
DRAWN:	X.X.X.
CHECKED:	X.X.X.
APPROVED:	X.X.X.

NO ADDITIONS OR CHANGES SHALL BE MADE TO THE STANDARD DETAIL SHEETS UNLESS APPROVED BY THE CITY OF WILLOW PARK.

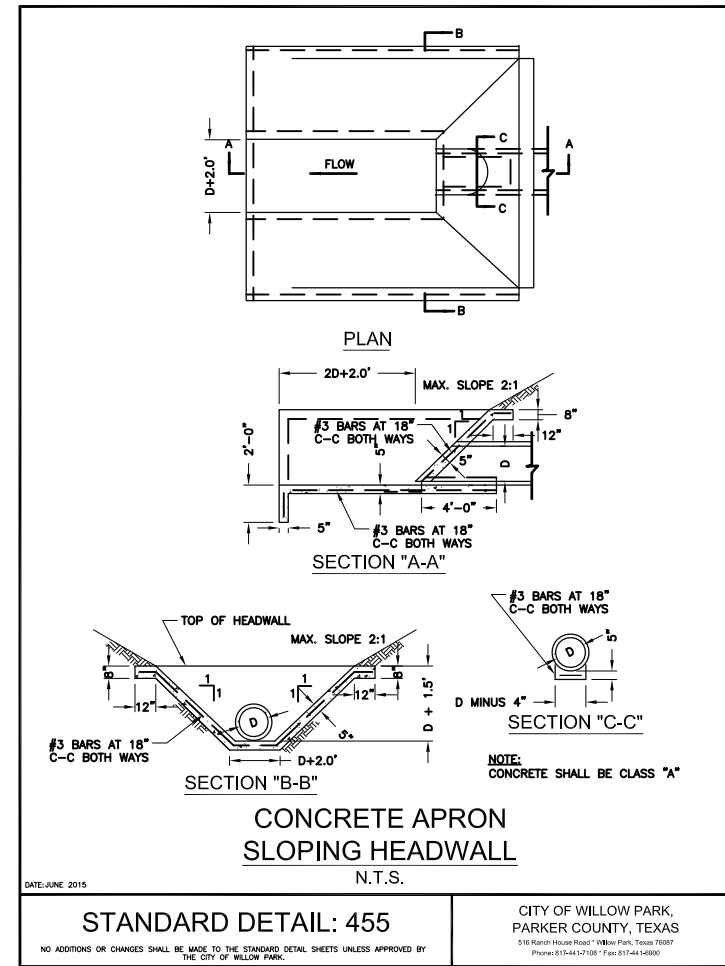
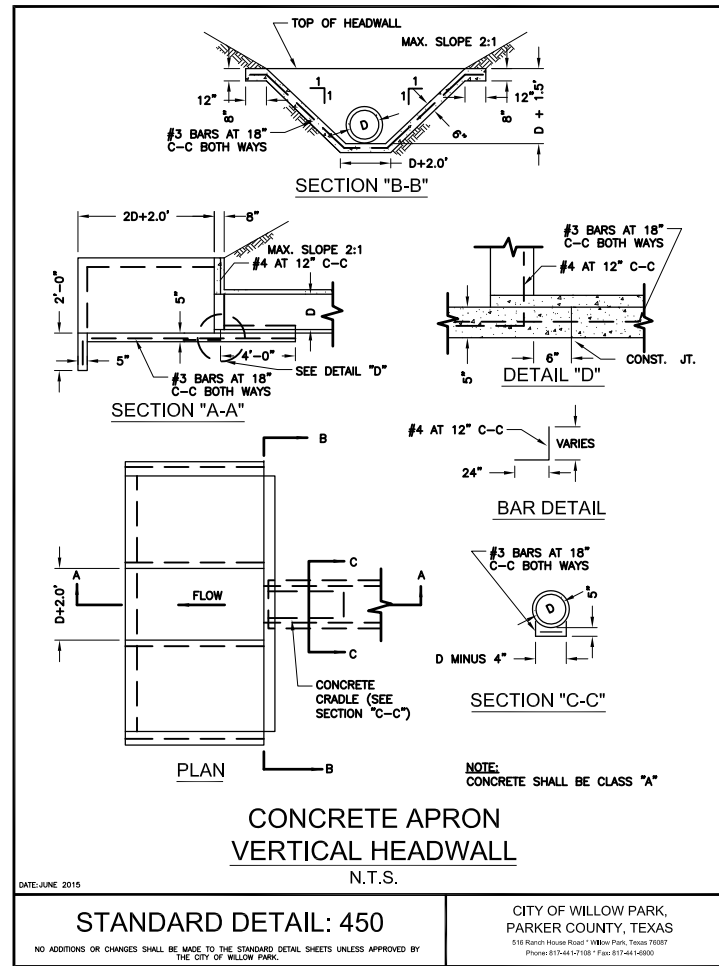
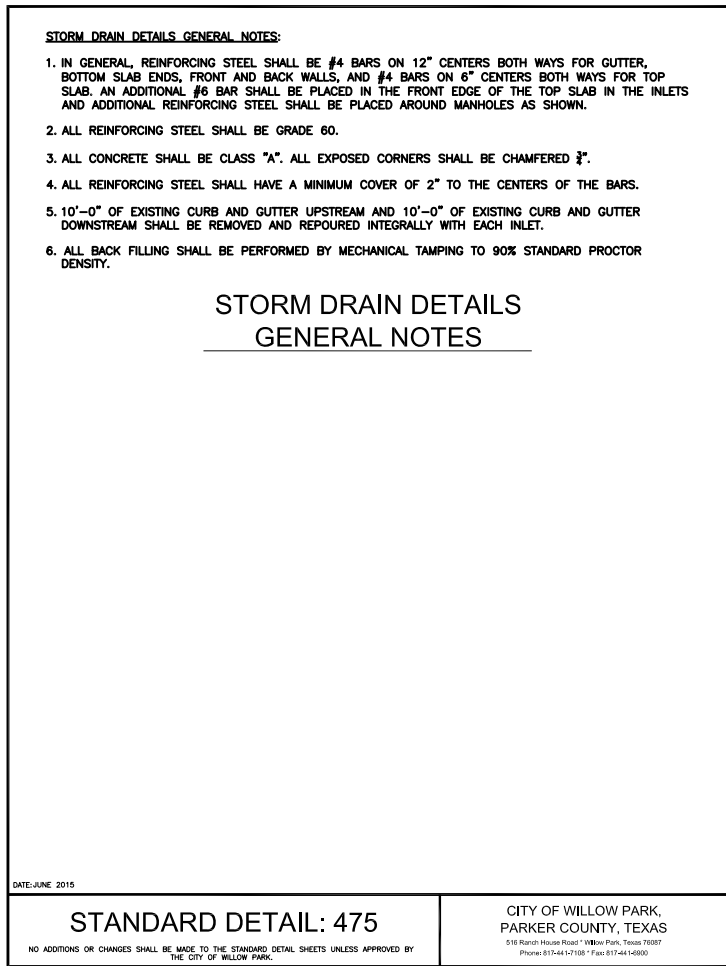
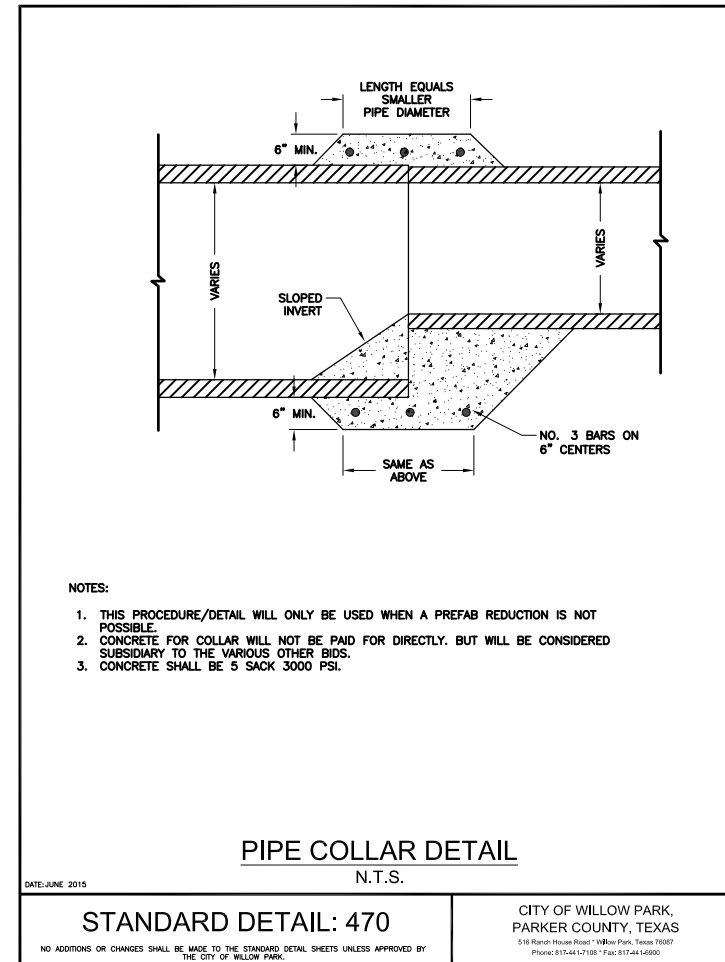
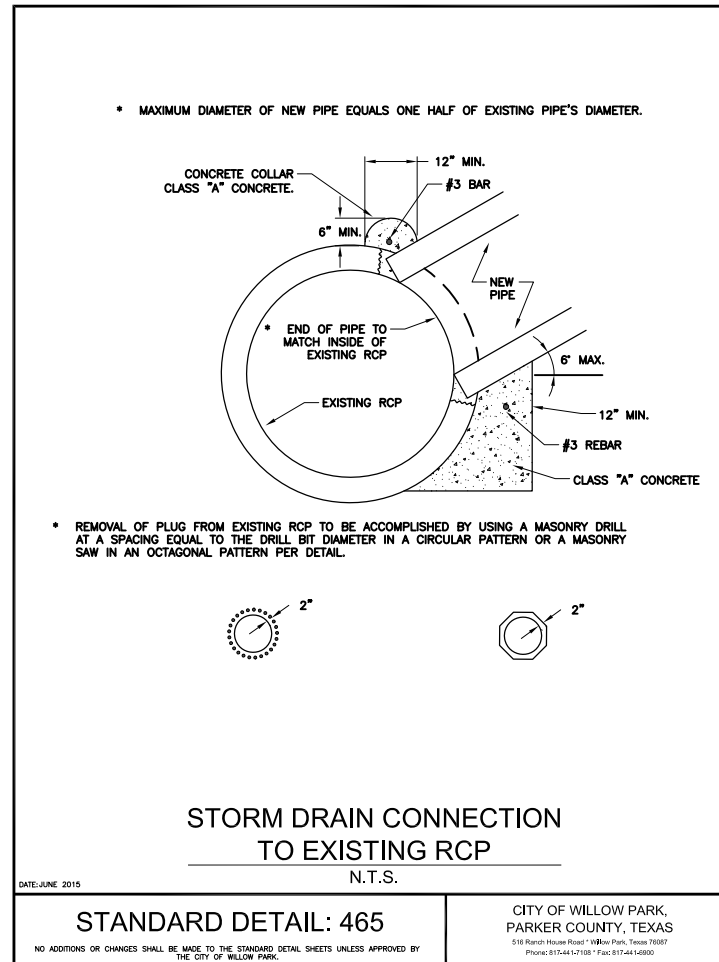
SHEET TITLE:  
STORM DETAILS

SHEET NO.: C-SD02

PRINTED BY: SUE ANN BOND PLOTTED ON: 8/12/2015 9:12 AM X:\C:\WILLOW\_PARK\MISC\WP\_STANDARD\_DETAILS\STORM\WP\_STORM\_01.DWG



CITY OF WILLOW PARK, PARKER COUNTY, TEXAS  
STANDARD DETAIL: 460  
NO ADDITIONS OR CHANGES SHALL BE MADE TO THE STANDARD DETAIL SHEETS UNLESS APPROVED BY THE CITY OF WILLOW PARK.



REVISIONS:	
CITY OF WILLOW PARK, PARKER COUNTY, TEXAS 516 Ranch House Road Willow Park, Texas 76087 Phone: 817-441-7108 - Fax: 817-441-6900	
CITY OF WILLOW PARK, TEXAS	STANDARD DETAILS
22x34 SCALE: N.T.S.	N.T.S.
11x17 SCALE: N.T.S.	N.T.S.
DATE: AUG 2015	DATE: AUG 2015
DRAWN: X.X.X.	DRAWN: X.X.X.
CHECKED: X.X.X.	CHECKED: X.X.X.
APPROVED: X.X.X.	APPROVED: X.X.X.
NO ADDITIONS OR CHANGES SHALL BE MADE TO THE STANDARD DETAIL SHEETS UNLESS APPROVED BY THE CITY OF WILLOW PARK.	NO ADDITIONS OR CHANGES SHALL BE MADE TO THE STANDARD DETAIL SHEETS UNLESS APPROVED BY THE CITY OF WILLOW PARK.
SHEET TITLE: STORM DETAILS	
SHEET NO.: C-SD03	